

On-line Viscometers from **SOFRASER**

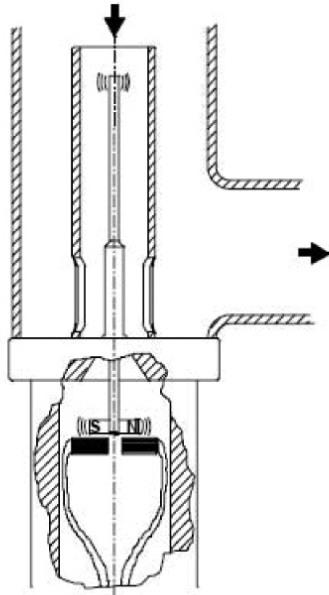
Quality System
**AF
AQ**
ISO 9001
VERSION 2009



In-line instant and permanent viscosity measurement

Advantages

- Essential for all manufacturing or quality control applications. Especially developed for industrial conditions.
- **No Wear part, Low maintenance Operates in any position Simple, Rugged, accurate and RELIABLE**
- Easy-to-handle electronics, equipped with standardized outputs and adjustable calibration.
- Optional internal temperature Probe (-20°C to 300°C)



Principle

The active part of the sensor is a vibrating rod, held in oscillation by a constant electrical power.

The vibration amplitude varies according to the product's viscosity where the rod is immersed.

The signal converter associated (7000 or 800x family) allows the vibration and processes the amplitude variations in order to deliver a calibrated viscosity response.

Marketed in India by

 **Karishma
Instruments**

On-line Viscometers from **SOFRASER**



In-line instant and permanent viscosity measurement

OPERATING CONDITIONS

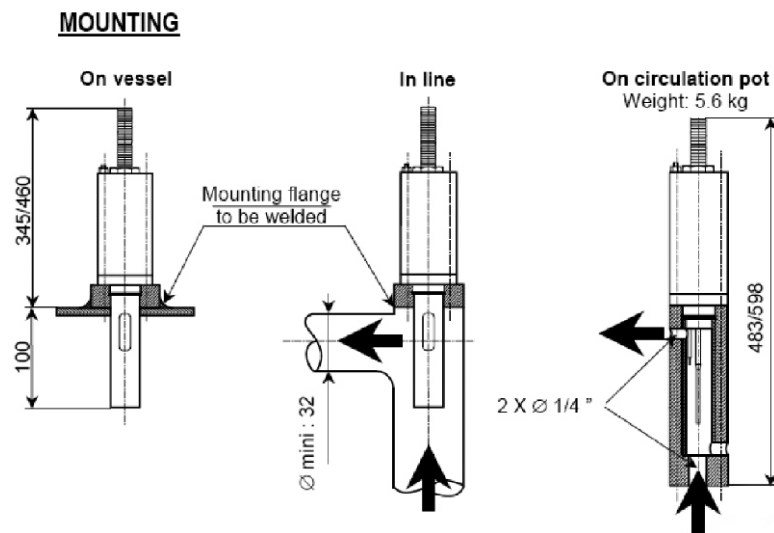
- Operating Temperature: 200°C max (300°C on request)
- Working pressure: 60 bars (up to 500 bars on request)
- Watertight ness of the body: IP 67
- Material: 316 L stainless steel, special Hastelloy manufacturing, many protective coatings possible (Diamolith, PTFE, enamel...)
- Available for hazardous areas (Approved ATEX EExdIICT1. T6) also approved in the USA (FM) and JAPAN (JIS)
- Special model available for sanitary applications(3A)

RANGES

Any range from 0-10 m Pa.s to 0-1 000 000 mPa.s

Repeatability: ± 0.1 % FS

MOUNTING



Marketed in India by

 **Karishma
Instruments**

204, A-Wing, Solaris-1, Saki-Vihar Road, Andheri East Mumbai 400072, India • Tel: +91-22-28576531, 28575606
• Fax : +91-22-28576540 • E-mail : info@karishmainstruments.com • website : www.karishmainstruments.com